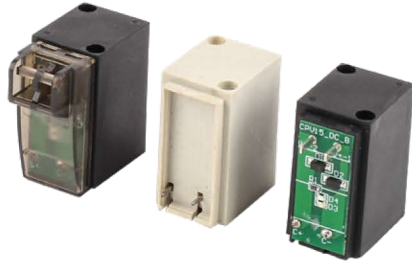


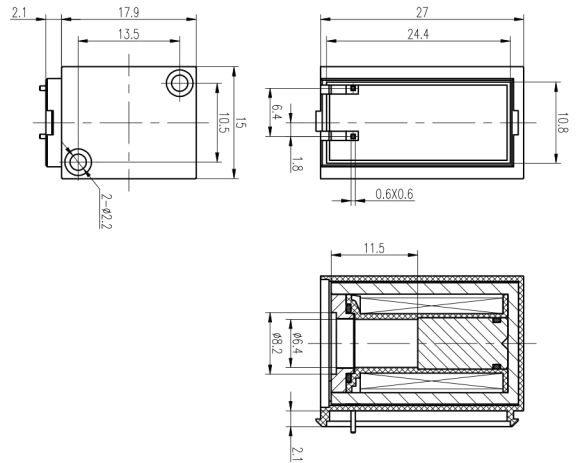
纺织类电磁阀线圈

Textile Solenoid Coil



产品型号 / Coil type.:15mm

产品编号 / Code no.:BRS-C032



技术参数 / Technical Data

标称电压 Standard Voltage	DC:12V/24V
电压范围 Voltage range	DC±10%
额定功率 Rated Power	DC1.6W; others on request 其它可定制
工作时间 Duty Cycle	ED100% (continuous)

保护等级 Protection degree	IP65(EN60529)
绝缘等级 Coil Insulation	Class H
环境温度 Ambient temperature	-20°C~+50°C
工作频率 Frequency	50/ 60 HZ

主要结构 / General Construction

骨架材料 Bobbin material	PBT/PA66/PPS/PET
铜线等级 Coil wire	Class H wire -180°C (according to IEC317-8)
支架 Magnetic yoke	Made by low carbon iron 高导磁低碳钢
封塑材料 Encapsulation material	PA66 30% fiberglass thermoplastic materia 热塑性塑料封料

接电方式 / Electrical Connections

端子或引线式 Terminal or flying leads

应用 / Application

广泛应用于纺织、医疗、电子、轻工、机械等领域。
Widely used in textile, medical, electronics,
light industry, machinery and other fields.